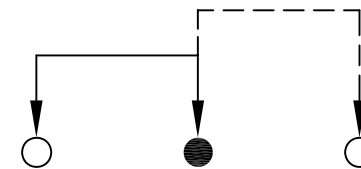
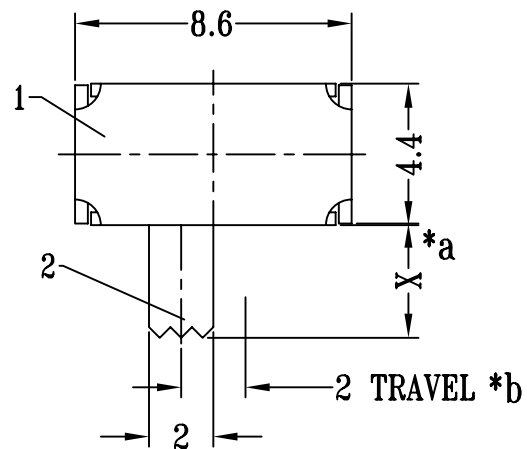
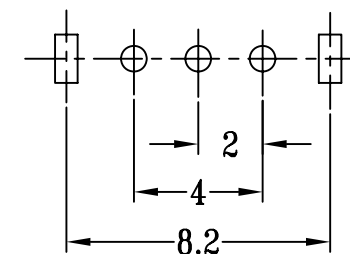
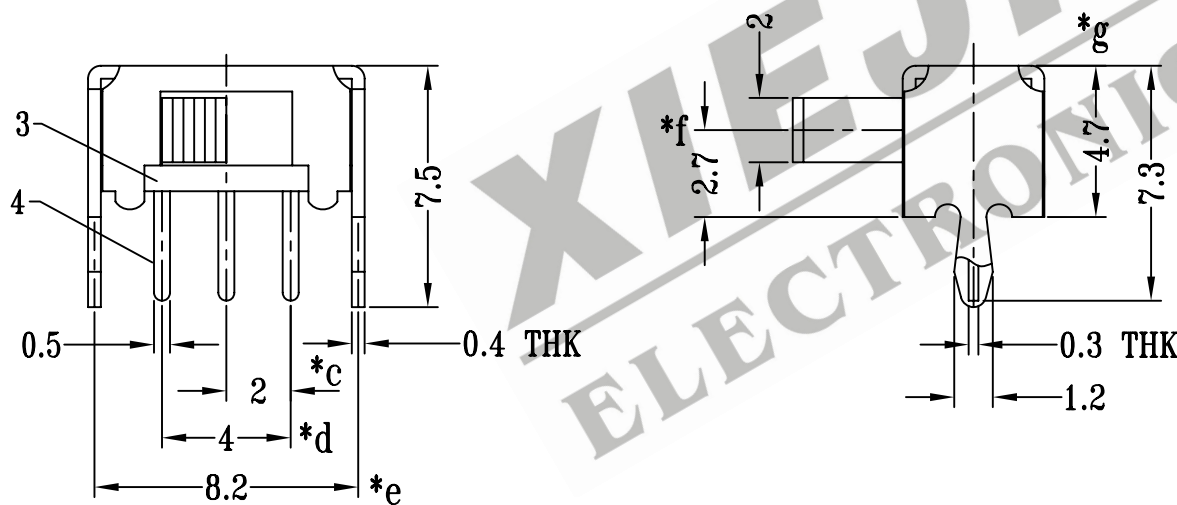


CAD FILE:



**SCHEMATIC (SHORTING)**



**P.C.B LAYOUT**

NO.	PARTS	MATERIALS	Q'TY	FINISH	TOLERANCE UNLESS SPECIFIED	SHENZHEN XIEJIA ELECTRONICS CO.,LTD.				
8										
7										
6	SPRING PLATE	STAINLESS STEEL	1	NATURAL	WITHIN: 1.5±0.1mm OVER: 1.5±0.2mm	ISSUE	DATE	DESCRIPTIONS OF REVISION		APPD.
5	CONTACT CLIP	PBS	1	Ag CLAD						
4	TERMINAL	BRASS STRIP	3	Ag PLATED OVER Ni PLATED	TITLE : HORIZONTAL SLIDE SWITCH	UNIT : mm		DRWG NO.: XJ-DR-SK12D02-00		
3	BASE	PHENOLIC RESIN	1	NATURAL	MODEL: SK-12D02	SCALE: 4 : 1		DWN.	ZHOUYU	2002-6-30
2	KNOB	POM	1	BLACK			CHK'D	FANGYING	2002-6-30	
1	FRAME	STEEL STRIP	1	Ni PLATED			APPD.	KANGXINAN	2002-6-30	
					ALL MATERIALS MUST BE COMPLIANT TO ROHS					